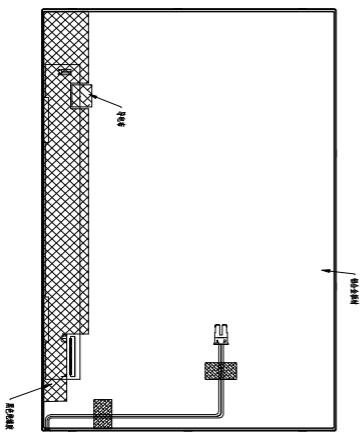
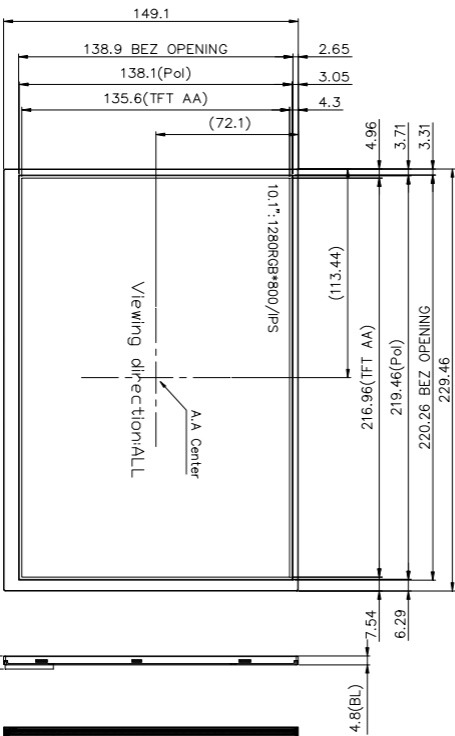


Item		Specification	Unit
Outline Dimension		229.46x 149.20 x 4.8(typ)	mm
Display area		216.96(W) x 135.60(H)	mm
Number of Pixel		1280 x RGB(H) x 800(V)	pixels
Dot pitch		0.0565(W) x 0.1695(H)	mm
Pixel arrangement		RGB Vertical stripe	
Display mode		Normally Black	
Surface treatment		Antiglare	
Weight		TBD	g
Back-light		Single LED (Side-Light type)	
Power Consumption	B/L System	TBD	w

Item	Symbol	Temp.	Min.	Typ.	Max.	Unit	Condition
Response Time(Tr+Tf)	Tr	25°C		25	--	msec	$\theta = 0^\circ, \varphi = 0^\circ$ (Note 1,3)
	Tf	25°C			--		
Contrast Rate	Cr	25°C	640	800	--	--	$\theta = 0^\circ, \varphi = 0^\circ$ LED:ON, LIGHT:OFF(Note1,2)
Brightness	YL	25°C	1000	1200	--	Cd/m2	I=370mA(Note1,4)
Visual angle range front and rear	θ_t	25°C	80	89		De-gree	$\phi = 90^\circ, (12 \text{ 'clock}) CR \cong 10$ (Note 1,4)
	θ_b		80	89			$\phi = 270^\circ, (6 \text{ 'clock}) CR \cong 10$ (Note 1,4)
Visual angle range left and right	θ_l	25°C	80	89		De-gree	$\phi = 180^\circ, (9 \text{ o'clock}) CR \cong 10$ (Note 1,4)
	θ_r		80	89			$\phi = 0^\circ, (3 \text{ o'clock}) CR \cong 10,$ (Note 1,4)
Brightness uniformity	BUNI			75		%	$\ominus = 0$ (Note5,7)
Visual angle				--			(Note 6)



PIN ASSIGNMENT	
1.	VCOM
2.	VDD
3.	VDD
4.	NC
5.	NC
6.	NC
7.	GND
8.	Rin0-
9.	Rin0+
10.	GND
11.	Rin1-
12.	Rin1+
13.	GND
14.	Rin2-
15.	Rin2+
16.	GND
17.	Rin3-
18.	Rin3+
19.	GND
20.	Rin3-
21.	Rin3+
22.	GND
23.	NC
24.	NC
25.	GND
26.	NC
27.	LED_PWM
28.	NC
29.	AVDD
30.	GND
31.	LED-
32.	LED-
33.	NC
34.	NC
35.	VGL
36.	NC
37.	CABC_EN
38.	VGH
39.	LED+
40.	LED+